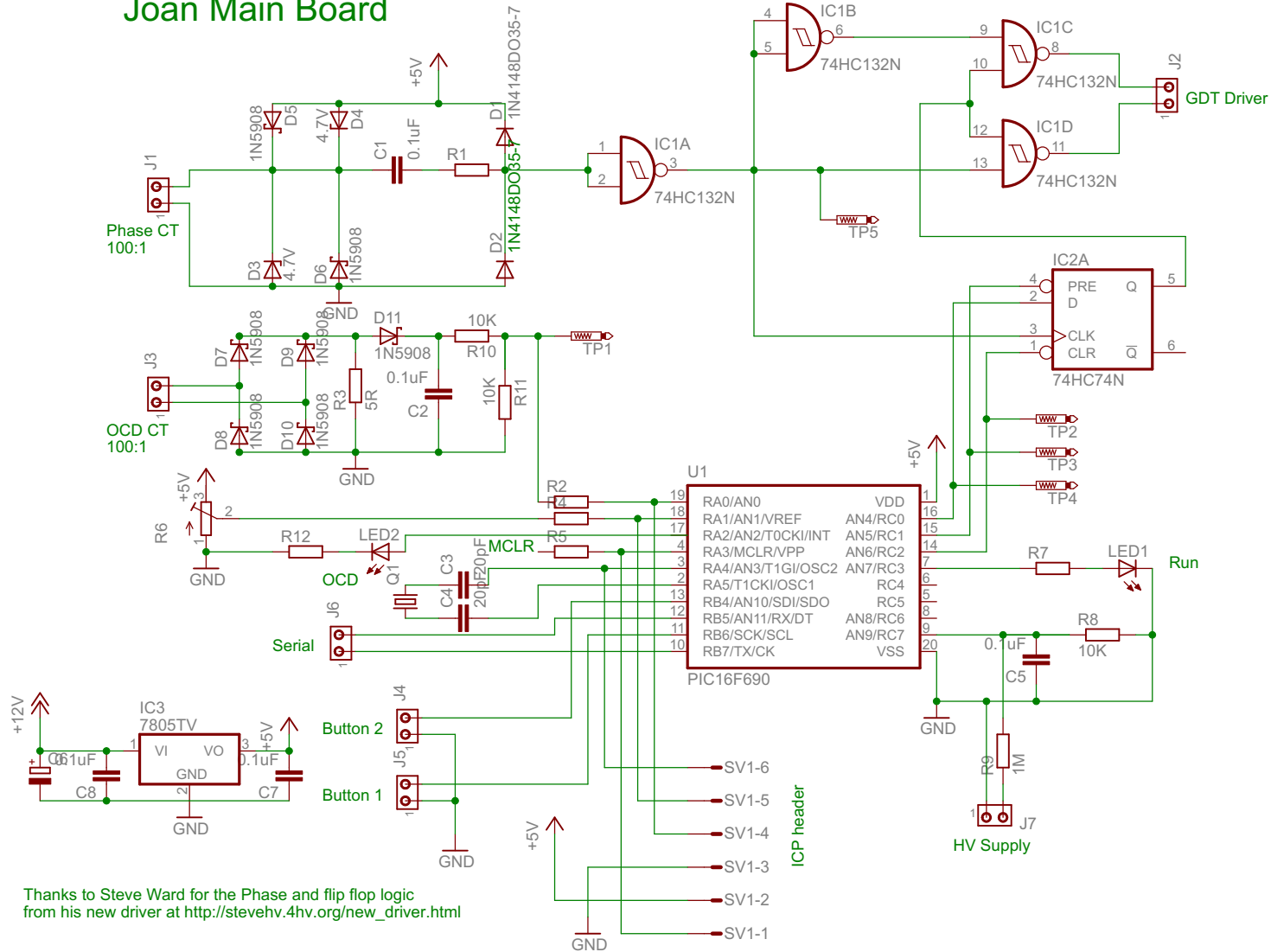


Joan Main Board



Thanks to Steve Ward for the Phase and flip flop logic from his new driver at http://stevhev.4hv.org/new_driver.html